

# **The New and Improved FISCHER PANDA 4200 ECO AC MARINE GENERATOR**

The New Fischer Panda 4200 ECO now features a new front mounted direct driven raw water pump and forward placement of the electric freshwater pump to simplify ease of maintenance.

Fischer Panda Generators are the ideal choice for the professional sailor or power boater. When space is tight, weight is critical or noise is an issue, many boaters choose Fischer Panda. The new Fischer Panda 4200 ECO AC marine generator is powered by the reliable freshwater-cooled Farymann diesel engine and our superior asynchronous water-cooled alternator.

All Fischer Panda generators come standard with 100% freshwater cooling, superior sound enclosure, bulkhead external connections, remote fuel lift pump and remote control panel.

Depending upon the kilowatt size Fischer Panda Generators can weigh up to 50% less than a conventional generator and are up to 30% smaller in size.



## **Fischer Panda®**

*The Most Powerful Generator You'll Never Hear!*

4345 NE 12 Terrace, Oakland Park, Florida 33334

**Call (800) 508-6494**

Visit us at [www.fischerpanda.com](http://www.fischerpanda.com)  
or e-mail us at [sales@fischerpanda.com](mailto:sales@fischerpanda.com)



### **FEATURES INCLUDE:**

- *Less weight, size and noise*
- *Extremely quiet (54dba@7meter)*
- *Direct driven fresh water-cooled Asynchronous Alternator*
- *New front mounted direct drive raw water pump*
- *Safety shutdowns for all critical functions*
- *Self protected against overload*
- *Ignition Protection for gas powered boats*
- *Comes complete with harnesses, remote control panel, sound enclosure and remote fuel lift pump*
- *5 Year limited warranty*

**FISCHER PANDA 4200 ECO**



**Smaller**

**Lighter**

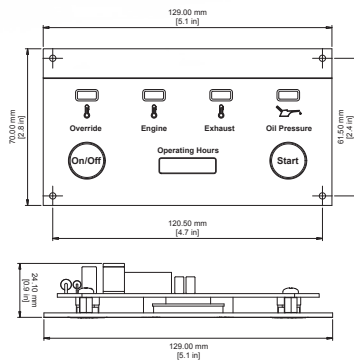
**Efficient**

# FISCHER PANDA 4200 ECO SPECIFICATIONS

Frequency	60 Hz
Voltage	240V / 120V
Current Max.	17.0A / 34.0A
Peak Output	4.2 kW
Continuous Output	3.8 kW
Engine Type	Farymann / W•18
Cylinders	1 cyl / 5.1 hp
Displacement	290 ccm / 17.7 cu. in.
Cooling	H / E
Dimensions (LWH)	22.8 x 14.5 x 21.4 inches
Weight (Wet)	211 lbs
Noise Level	54 dBa @ 7 Meters

\*Generator set standard at 80% output for continuous use, for peak output contact Fischer Panda.

## Remote Panel



## OPTIONAL ACCESSORIES

### External Soft Motor Mounts

External Soft Motor Mounts for extra smooth operation.



### Vented Loop

(anti-syphon valve) Recommended for all installations. Prevents water from siphoning back to the engine and minimizes potential electrolysis. Made with a stainless steel tube and nylon valve for long life and easy service.



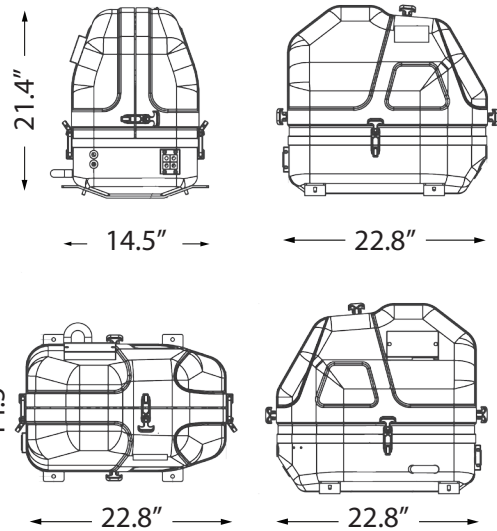
### Gas Separator

Exhaust water separator provides very low back pressure and extra quiet exhaust noise.



### Low Profile Muffler

Low inlet muffler for installations where the muffler cannot be installed lower than the genset.



 **Fischer Panda®**

*The Most Powerful Generator You'll Never Hear!*

4345 NE 12 Terrace, Oakland Park, Florida 33334

**Call (800) 508-6494**

Visit us at [www.fischerpanda.com](http://www.fischerpanda.com)

or e-mail us at

[sales@fischerpanda.com](mailto:sales@fischerpanda.com)

